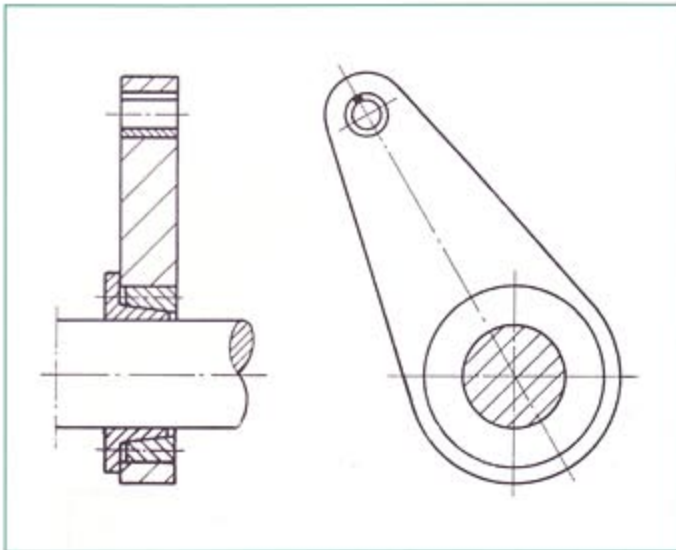
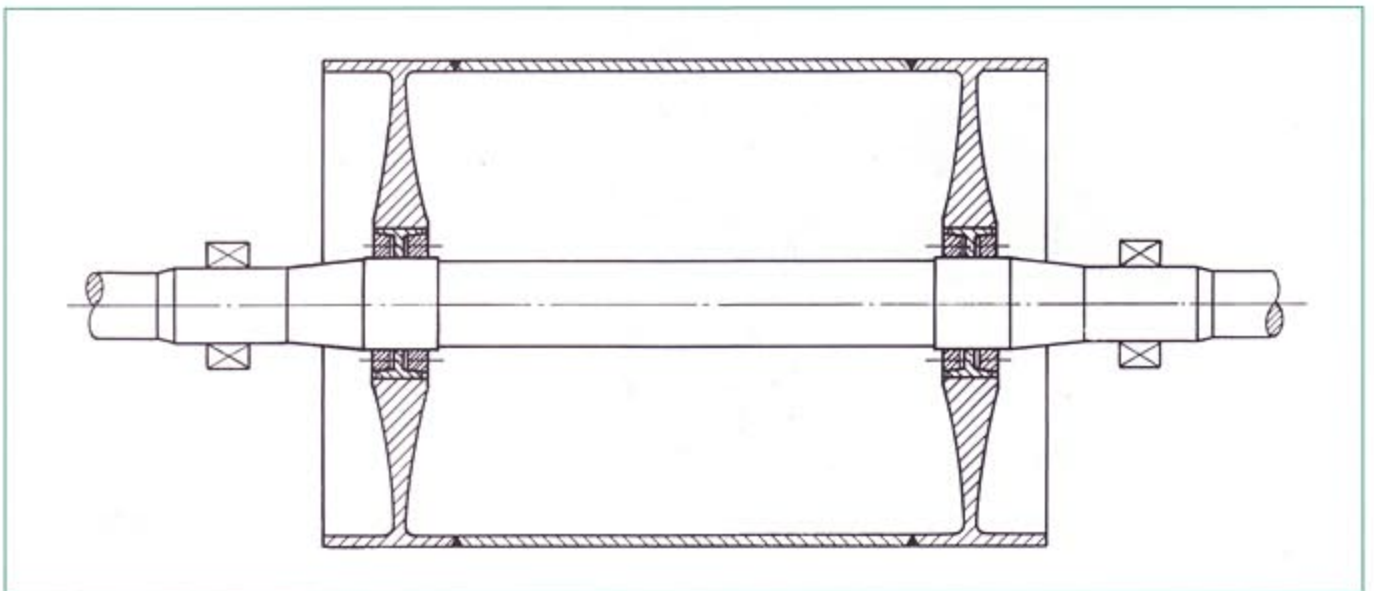


EXAMPLES OF APPLICATION

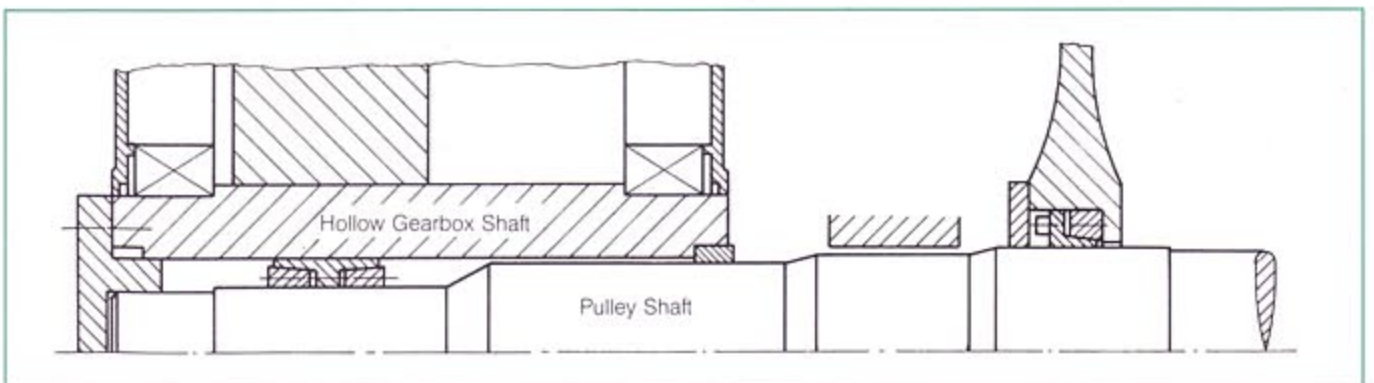


Lever mounting in every desired position using locking assembly TAS 3006

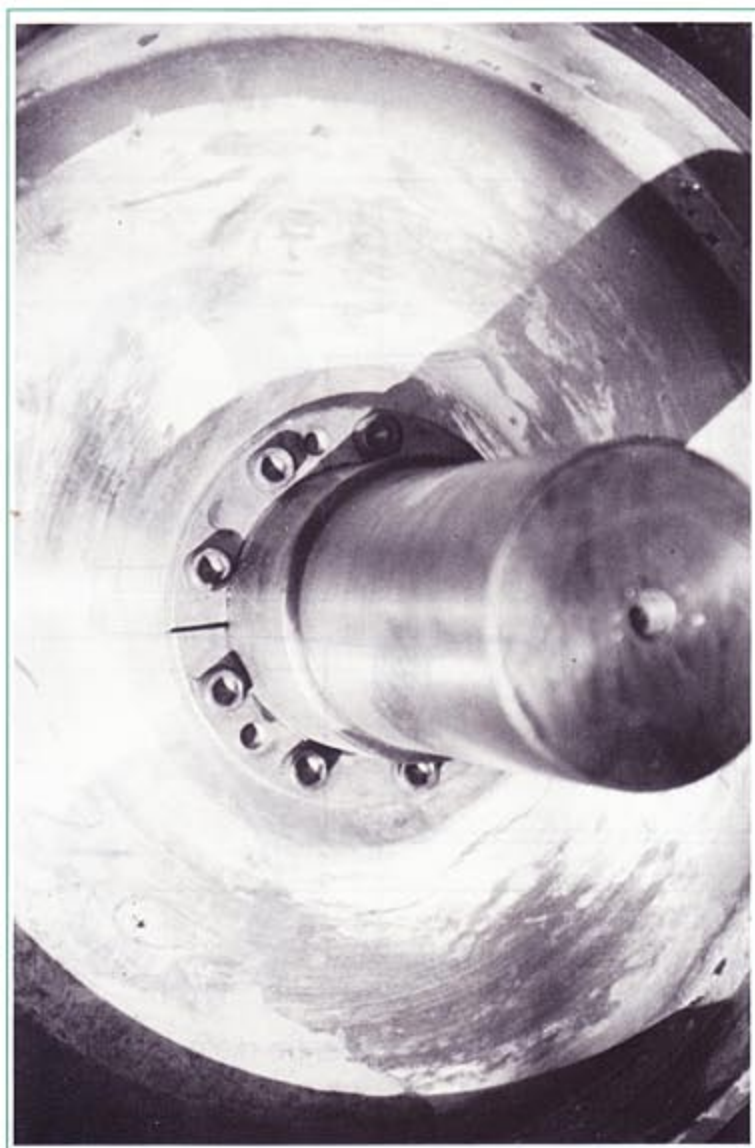


Mounting of a belt conveyor pulley using locking assemblies TAS 3012, 3015, RB

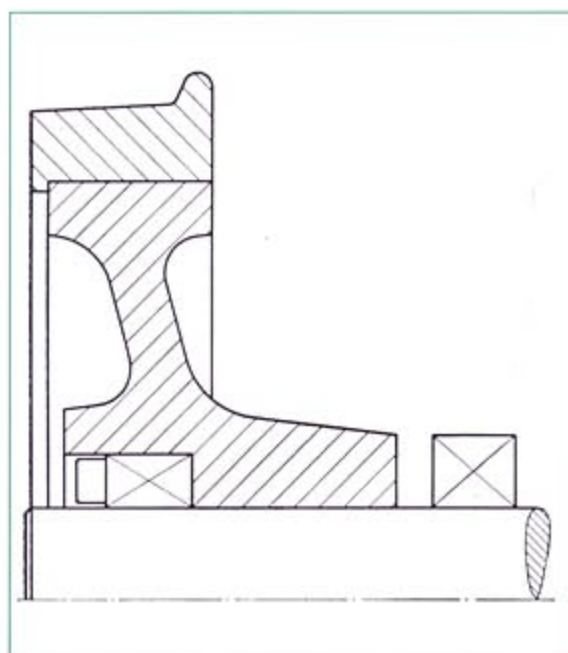
Important: Shaft deflections should not exceed $\frac{1}{2500}$ of the bearing centre distance.



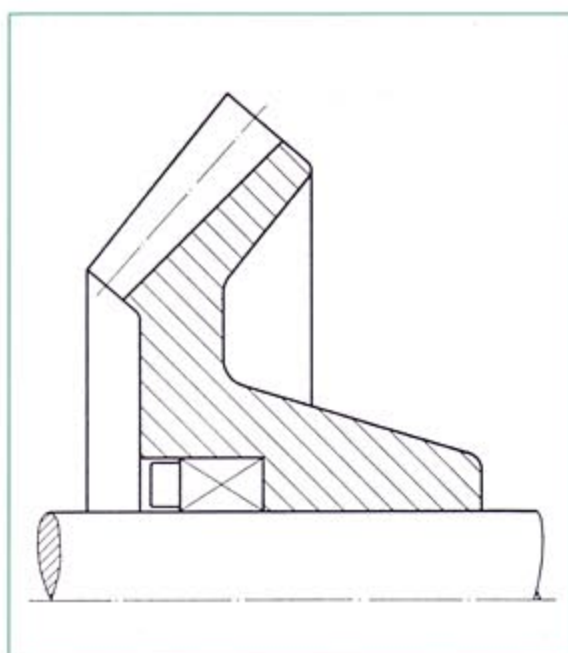
Fastening of a shaft mounted gearbox using TAS 3012



Attachment of a belt drum
with TAS 3006 locking assemblies



Attachment of a travel wheel
with a TAS 3020 locking assembly



Attachment of a bevel gear
with a TAS 3020 locking assembly