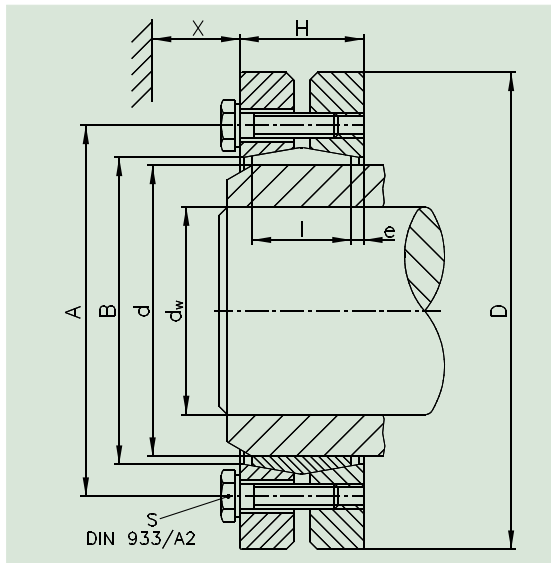


3071 (stainless steel)



H and e are in unlocked position

M_t = Transmissible torque per shrink disc

M_A = Tightening torque per bolt

X - min. space required for standard torque wrench

Z - Number of bolts

d_w mm	d mm	M_t Nm	D mm	I mm	H mm	A mm	B mm	e mm	M_A Nm	Z	S	Weight kg
19	24	110	50	14	19	36	26	2.5	3	6	M 5x18	0.2
20	24	140	50	14	19	36	26	2.5	3	6	M 5x18	0.2
21	24	170	50	14	19	36	26	2.5	3	6	M 5x18	0.2
24	30	170	60	16	21	44	32	2.5	3	7	M 5x18	0.3
25	30	200	60	16	21	44	32	2.5	3	7	M 5x18	0.3
26	30	240	60	16	21	44	32	2.5	3	7	M 5x18	0.3
28	36	230	72	18	23	52	38	2.5	6	5	M 6x20	0.5
30	36	300	72	18	23	52	38	2.5	6	5	M 6x20	0.5
31	36	325	72	18	23	52	38	2.5	6	5	M 6x20	0.5
34	44	395	80	20	25	61	47	2.5	6	7	M 6x20	0.6
35	44	440	80	20	25	61	47	2.5	6	7	M 6x20	0.6
36	44	490	80	20	25	61	47	2.5	6	7	M 6x20	0.6
38	50	480	90	22	27	70	53	2.5	6	8	M 6x25	0.8
40	50	590	90	22	27	70	53	2.5	6	8	M 6x25	0.8
42	50	700	90	22	27	70	53	2.5	6	8	M 6x25	0.8
42	55	540	100	23	30	75	58	3.5	6	8	M 6x25	1.1
45	55	700	100	23	30	75	58	3.5	6	8	M 6x25	1.1
48	55	890	100	23	30	75	58	3.5	6	8	M 6x25	1.1
48	62	875	110	23	30	86	66	3.5	6	10	M 6x25	1.3
50	62	1000	110	23	30	86	66	3.5	6	10	M 6x25	1.3
52	62	1100	110	23	30	86	66	3.5	6	10	M 6x25	1.3
50	68	725	115	23	30	86	72	3.5	6	10	M 6x25	1.4
55	68	1050	115	23	30	86	72	3.5	6	10	M 6x25	1.4
60	68	1450	115	23	30	86	72	3.5	6	10	M 6x25	1.4
55	75	1080	138	25	32	100	79	3.5	14	7	M 8x30	2.4
60	75	1470	138	25	32	100	79	3.5	14	7	M 8x30	2.4
65	75	1925	138	25	32	100	79	3.5	14	7	M 8x30	2.4
60	80	1250	145	25	32	100	84	3.5	14	7	M 8x30	2.5
65	80	1650	145	25	32	100	84	3.5	14	7	M 8x30	2.5
70	80	2125	145	25	32	100	84	3.5	14	7	M 8x30	2.5
65	90	1900	155	30	39	114	94	4.5	14	10	M 8x35	3.3
70	90	2425	155	30	39	114	94	4.5	14	10	M 8x35	3.3
75	90	3000	155	30	39	114	94	4.5	14	10	M 8x35	3.3
70	100	2350	170	34	44	124	104	5	14	12	M 8x35	4.3
75	100	2925	170	34	44	124	104	5	14	12	M 8x35	4.3
80	100	3580	170	34	44	124	104	5	14	12	M 8x35	4.3
75	110	2850	185	39	50	136	114	5.5	28	9	M 10x40	5.9
80	110	3520	185	39	50	136	114	5.5	28	9	M 10x40	5.9
85	110	4060	185	39	50	136	114	5.5	28	9	M 10x40	5.9
85	125	4450	215	42	54	160	134	6	28	12	M 10x40	8.6
90	125	5325	215	42	54	160	134	6	28	12	M 10x40	8.6
95	125	6275	215	42	54	160	134	6	28	12	M 10x40	8.6