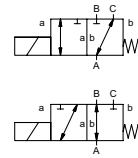


# coaxial valve

## type MK 40 DR FK 40 DR



**3/2 way valve** **direct acting**  
**pressure range** PN 0-16 bar  
**orifice** DN 40 mm  
**connection** thread/flange  
**function** valve normally closed (A ► B) symbol **NC**  
 valve normally open (A ► B) symbol **NO**



**△** Above stated body materials refer to the valve port connections that get in contact with the media only!

**design** pressure balanced, with spring return, intersecting switch-over  
**body materials** ① ② steel, galvanized  
 ③ ⑤ without non-ferr. metals  
 ④ steel, nickel plated ⑥ stainless steel  
**valve seat** synthetic resin on metal  
**seal materials** NBR PTFE, FPM, CR, EPDM

**details needed**

- orifice
- port
- function NC/NO
- operating pressure
- inlet pressure at A, B or C
- flow rate
- media
- media temperature
- ambient temperature
- nominal voltage

	general specifications		options
<b>ports</b>	MK	threads G 1 1/2 - G 2	special threads
	FK	flanges PN 16	special flanges
<b>function</b>		NC	NO
<b>pressure range</b>	bar	0-16	
		A ⇒ B max.16 / B ⇒ A max.16 / A ⇒ C max.16 / C ⇒ A max.16	
<b>Kv value</b>	m <sup>3</sup> /h	18,4 [A ⇒ B] 11,5 [A ⇒ C]	
<b>vacuum</b>	leak rate		< 10 <sup>-6</sup> mbar·l/s <sup>-1</sup>
<b>pressure-vacuum</b>	P <sub>1</sub> ⇔ P <sub>2</sub>		upon request
<b>back pressure</b>	P <sub>2</sub> > P <sub>1</sub>	see pressure range	
<b>media</b>		gaseous - liquid - highly viscous - gelatinous - contaminated	
<b>abrasive media</b>			upon request
<b>damping</b>	opening		
	closing		
<b>flow direction</b>		see pressure range	
<b>switching cycles</b>	1/min	90	
<b>switching time</b>	ms	opening 520 closing 150	
<b>media temperature</b>	°C	DC: -40 to +100	-40 to +160
		AC: -40 to +100	-40 to +160
<b>ambient temperature</b>	°C	DC: -40 to +80	
		AC: -40 to +80	
<b>limit switches</b>			inductive/mech. (depend. on temperature)
<b>manual override</b>			available
<b>approvals</b>			LR/GL/WAZ
<b>mounting</b>			mounting brackets
<b>weight</b>	kg	MK 18,5 FK 23,0	
<b>additional equipment</b>			upon request

**⚠** The valves' technical design is based on media and application requirements. This can lead to deviations from the general specifications shown on the data sheet with regards to the design, sealing materials and characteristics.

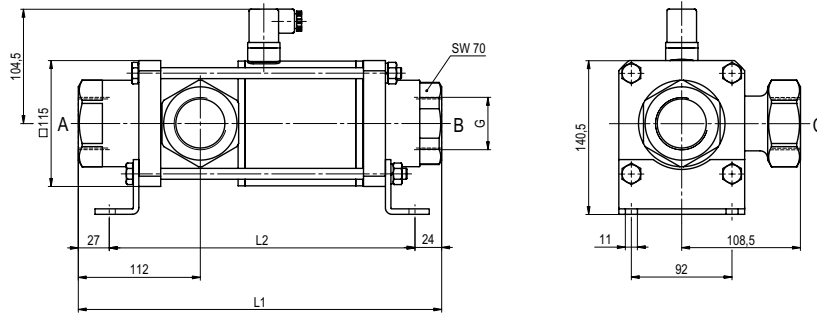
**⚠** If order or application specifications are incomplete or imprecise there exists a risk of an incorrect technical design of the valve for the required application. As a consequence, the physical and / or chemical properties of the materials or seals used, may not be suitable for the intended application.

	electrical specifications		options
<b>nominal voltage</b>	U <sub>n</sub>	24 V DC	special voltage upon request
	U <sub>n</sub>	230 V 40-60 Hz AC	special voltage upon request
<b>actuation</b>	DC	direct-current magnet	
	AC	direct-current magnet with integrated rectifier	above 100°C with separate rectifier
<b>insulation rating</b>	H	180°C	
<b>protection</b>	IP65		
<b>energized duty rating</b>	ED	100%	
<b>connection</b>		plug acc. DIN EN 175301-803 form A, 4 positions x 90° / wire diameter 6-8 mm	terminal box M16x1,5
<b>optional additional equipment</b>		illuminated plug with varistor	
<b>current consumption</b>	N-coil	24 V DC 2,07 A	
		230 V 40-60 Hz AC 0,28 A	
	H-coil		24 V DC 3,27 A
			230 V 40-60 Hz AC 0,44 A
<b>explosion proof</b>			
<b>limit switches</b>		inductive (I)	normally open-PNP
		inductive (B)	normally open-PNP
		mechanical	single pole double throw-SPDT

■ specifications not highlighted are standard  
 ■ specifications highlighted in grey are optional

# type MK 40 DR

function: **NC**  
closed when not energized (A ► B)

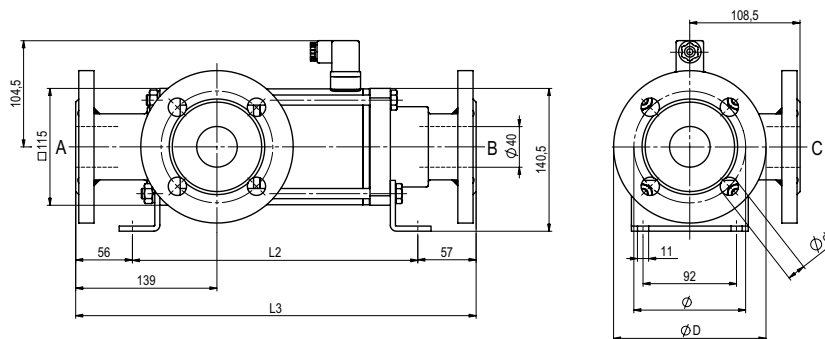


constructive length	L <sub>1</sub>	L <sub>2</sub>	L <sub>3</sub>
standard	332	281	394
with 1/2 inductive limit switches	373	322	435
with manual emergency (Hd)/ Hd and 1/2 ind. limit switches	373	322	435
with mechanical limit switches	373	322	435

flanges PN	DIN	øD	øk	ød
16	2633	150	110	18

# type FK 40 DR

function: **NO**  
open when not energized (A ► B)



The application-specific layout relating to temperature, pressure conditions, switching behavior, media and its consistency may restrict the range of use or necessitate relevant modifications to materials used and seal arrangements.

Rights reserved to make technical alterations • Not responsible for printing errors • Detailed drawings can be obtained upon request