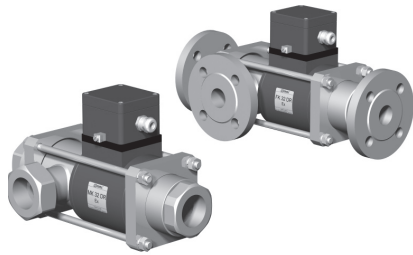
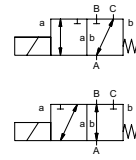


coaxial valve

type MK 32 DR Ex FK 32 DR Ex



3/2 way valve **direct acting**
pressure range PN 0-40 bar
orifice DN 32 mm
connection thread/flange
function valve normally closed (A ► B) symbol **NC**
 valve normally open (A ► B) symbol **NO**



△ Above stated body materials refer to the valve port connections that get in contact with the media only!

design pressure balanced, with spring return, intersecting switch-over
body materials ① ② steel, galvanized
 ③ ⑤ without non-ferr. metals
 ④ steel, nickel plated ⑥ stainless steel
valve seat synthetic resin on metal
seal materials NBR PTFE, FPM, CR, EPDM

details needed

- orifice
- port
- function NC/NO
- operating pressure
- inlet pressure at A, B or C
- flow rate
- media
- media temperature
- ambient temperature
- nominal voltage

	general specifications		options
ports	MK	threads G 1 1/4 - G 1 1/2	special threads
	FK	flanges PN 16/40	special flanges
function		NC	NO
pressure range	bar	0-16/0-40	
		A ⇒ B max.40 / B ⇒ A max.16 / A ⇒ C max.40 / C ⇒ A max.16	
Kv value	m ³ /h	14,1 [A ⇒ B] 8,9 [A ⇒ C]	
vacuum	leak rate		< 10 ⁻⁶ mbar·l·s ⁻¹
pressure-vacuum	P ₁ ⇔ P ₂		upon request
back pressure	P ₂ > P ₁	see pressure range	
media		gaseous - liquid - highly viscous - gelatinous - contaminated	
abrasive media			upon request
damping	opening		
	closing		
flow direction		see pressure range	
switching cycles	1/min	120	
switching time	ms	opening 440 closing 250	
media temperature	°C	DC: -20 to +40	
		AC: -20 to +40	
ambient temperature	°C	DC: -20 to +40	
		AC: -20 to +40	
limit switches			inductive
manual override			available
approvals			LR/GL/WAZ
mounting			mounting brackets
weight	kg	MK 18,0 FK 22,0	
additional equipment			upon request

⚠ The valves' technical design is based on media and application requirements. This can lead to deviations from the general specifications shown on the data sheet with regards to the design, sealing materials and characteristics.

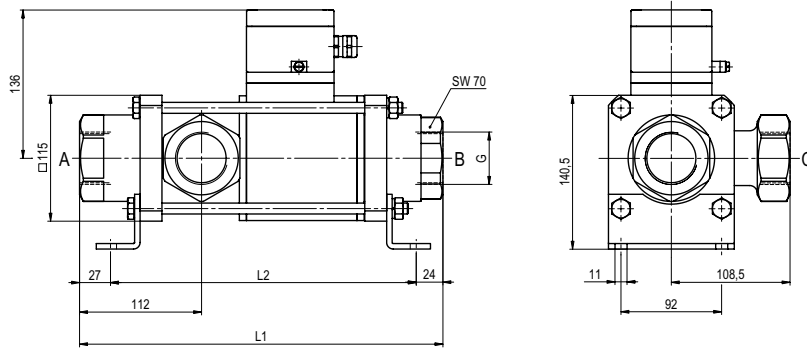
⚠ If order or application specifications are incomplete or imprecise there exists a risk of an incorrect technical design of the valve for the required application. As a consequence, the physical and / or chemical properties of the materials or seals used, may not be suitable for the intended application.

	electrical specifications		options
nominal voltage	U _n	24 V DC	special voltage
	U _n	230 V 40-60 Hz AC	special voltage
actuation	DC	direct-current magnet	
	AC	direct-current magnet with separate rectifier outside of the explosion-proof area	sand sealed rectifier
insulation rating	H	180°C	
protection	IP65		
energized duty rating	ED	100%	
connection	M16x1,5	terminal box	
optional additional equipment			
current consumption	U _n	V-DC 24 200	20 48 98 110 210 220 230
	I _n	A 2,05 0,29	2,72 1,07 0,54 0,48 0,25 0,25 0,21
explosion proof		II 2 G Eex me II T4 and II 2 D IP65 T 130°C	
		PTB 03 ATEX 2051 X	
limit switches		inductive NAMUR	circuit amplifier

■ specifications not highlighted are standard
 ■ specifications highlighted in grey are optional

type MK 32 DR Ex

function: **NC**
closed when not energized (A ► B)



constructive length	L ₁	L ₂	L ₃
standard	332	281	394
with 1/2 inductive limit switches	373	322	435
with manual emergency (Hd)/ Hd and 1/2 ind. limit switches	373	322	435

flanges PN	DIN	øD	øk	ød
16	2633	140	100	18
40	2635	140	100	18

type FK 32 DR Ex

function: **NO**
open when not energized (A ► B)

