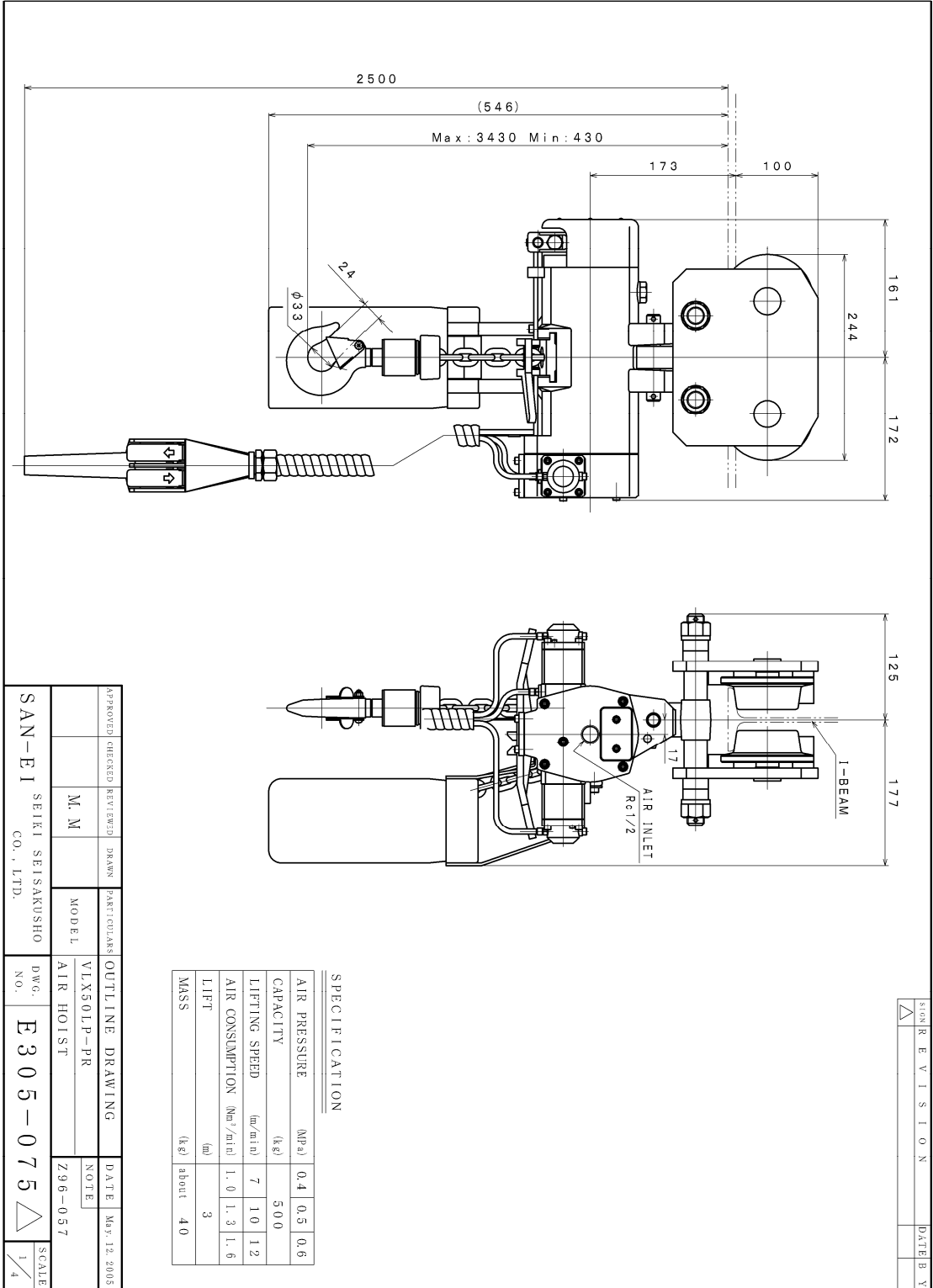


VLX50LP-PR



SPECIFICATION

AIR PRESSURE	(MPa)	0.4	0.5	0.6
CAPACITY	(kg)	500		
LIFTING SPEED	(m/min)	7	1.0	1.2
AIR CONSUMPTION	(Nm <sup>3</sup> /min)	1.0	1.3	1.6
LIFT	(m)	3		
MASS	(kg)	about 40		

APPROVED	CHECKED	REVIEWED	DRAWN	PARTICULARS	OUTLINE DRAWING	DATE	SCALE
		M. M			VLX50LP-PR AIR HOIST	May. 12, 2003	1/4
SAN-EI SEIKI SEISAKUSHO CO., LTD.					DWG. NO.	E 305-075	
					NOTE	Z96-057	

REVISION	DATE	BY